

DS-2CD2110-(I)



Key Features

- Up to 1.3 megapixel (1280 × 960) resolution
- Standard video compression with high compression ratio, ROI (region of interest) encoding
- Progressive scan CMOS, capture motion video without incised margin
- Support dual stream, and the sub-stream for mobile surveillance
- High-performance and long service life Infrared LED, up to 30 meters IR range
- IR cut filter with auto switch
- PoE (Power over Ethernet)
- Ingress Protection level: IP66
- Electronic shutter for different surveillance environments
- Impact Protection: IEC60068-2-75 test, Eh, 20J; EN50102, up to IK10
- Other functions: alarm, mirror, etc
- Support intrusion detection and line crossing detection
- Support VCA, which is compatible with NVR for the second time of video searching and analysing

Specification

| | |
|-------------------|---|
| Model | DS-2CD2110-(I) |
| Parameter | 1.3 Megapixel CMOS Vandal-proof Network Dome Camera |
| Camera | |
| Image Sensor | 1/3" Progressive Scan CMOS |
| Min. Illumination | 0.01Lux @ (F1.2, AGC ON) ,0 Lux with IR 0.028Lux @ (F2.0, AGC ON) ,0 Lux with IR |

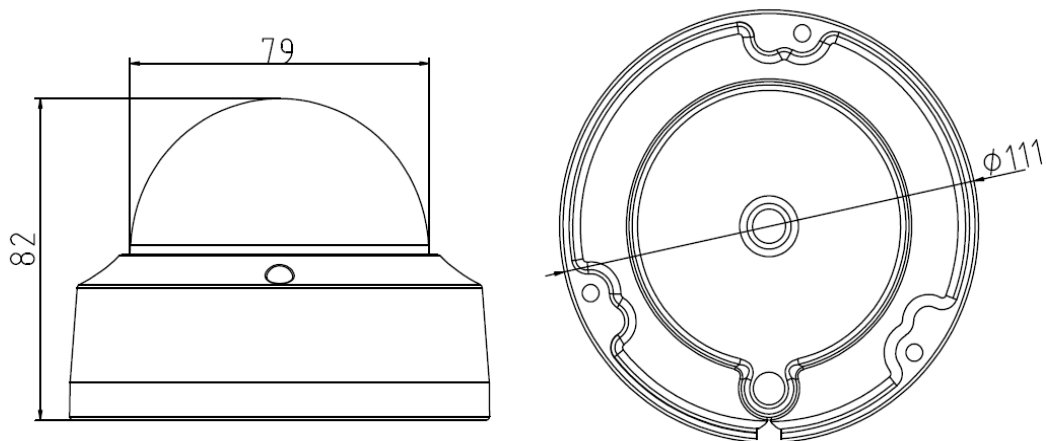
| | |
|-----------------------------|--|
| Shutter Speed | 1/3 s to 1/100,000 s |
| Lens | 4mm@ F2.0, Angle of view: 73.1° (2.8mm, 6mm optional) |
| Lens Mount | M12 |
| Day & Night | IR cut filter with auto switch |
| Digital Noise Reduction | 3D DNR |
| Wide Dynamic Range | Digital WDR |
| Angle Adjustment | Pan:0° - 355°, Tilt: 0° - 65° |
| Compression Standard | |
| Video Compression | H.264/ MJPEG |
| H.264 Type | BaselLine Profile/Main Profile |
| Video Bit Rate | 32Kbps~8Mbps |
| Dual Stream | Yes |
| Image | |
| Max. Resolution | 1280 x 960 |
| Frame Rate | 50 Hz: 25 fps (1280 × 960), 25 fps (1280 x 720), 25 fps (704 x 576), 25 fps (640 x 480) 60 Hz: 30 fps (1280 × 960), 30 fps (1280 x 720), 30 fps (704 x 576), 30 fps (640 x 480) |
| Image Settings | Rotate mode, Saturation, Brightness, Contrast adjustable by client software or web browser |
| Backlight compensation | Yes, zone optional |
| ROI | Support |
| Network | |
| Network Storage | NAS (Support NFS,SMB/CIFS) |
| Alarm Trigger | Line Crossing, Intrusion detection, Motion detection, Dynamic analysis, Tampering alarm |
| Protocols | TCP/IP,ICMP,HTTP,HTTPS,FTP,DHCP,DNS,DDNS,RTP,RTSP,RTCP, PPPoE,NTP,UPnP,SMTP,SNMP,IGMP,802.1X,QoS,IPv6,Bonjour |
| Security | User Authentication, Watermark |
| Standard | ONVIF, PSIA, CGI, ISAPI |
| Interface | |
| Communication Interface | 1 RJ45 10M/100M Ethernet interface |
| General | |
| Operating Conditions | -30 °C – 60 °C (-22 °F – 140 °F) Humidity 95% or less (non-condensing) |
| Power Supply | 12 V DC ± 10% , PoE (802.3af) |

| | |
|--------------------------|---|
| Power Consumption | Max. 4.8 W |
| Ingress Protection level | IP66 |
| IR Range | 30 meters |
| Impact Protection | IEC60068-2-75Eh, 20J; EN50102, up to IK10 |
| Dimensions | $\Phi 111 \times 82$ (4.4" \times 3.2") |
| Weight | 500g (1.1 lbs) |

Order Models

DS-2CD2110, DS-2CD2110-I

Dimensions



Accessories



Inclined ceiling mount
DS-1259ZJ



Wall mount
DS-1272ZJ-110