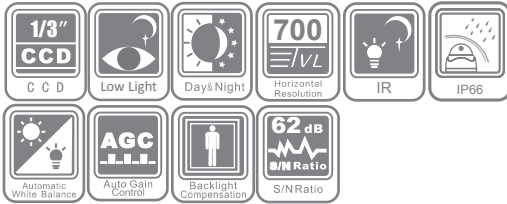


DS-2CC11A2P(N)-IRA

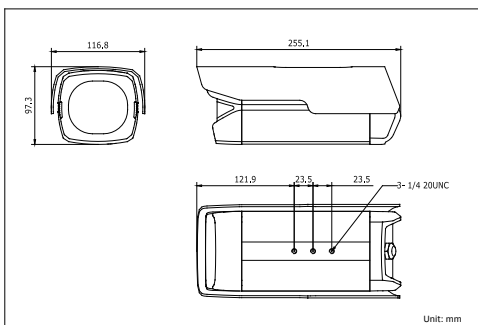
700 TVL 110m IR Bullet Camera



Key features

- 1/3" SONY CCD
- 700 TVL Horizontal Resolution
- Electronic Day/Night
- Up to 110m IR Distance
- Super Low Illumination
- IP66 Rating

Dimensions



Accessories



DS-1212ZJ-S
(Indoor wall mount)



DS-1213ZJ-S
(Outdoor Wall Mount)

| DS-2CC11A2P(N)-IRA | |
|----------------------------------|---|
| Camera | |
| Image Sensor | 1/3" SONY CCD |
| Signal System | PAL/NTSC |
| Effective Pixels | PAL: 976 (H) × 582 (V) NTSC: 976 (H) × 494 (V) |
| Min. Illumination | 0.001 Lux @ (F1.2, AGC ON), 0 Lux with IR 0.0014 Lux @ (F1.4, AGC ON), 0 Lux with IR |
| Shutter speed | PAL: 1/50 s to 1/100,000 s NTSC: 1/60 s to 1/100,000 s |
| Lens | 25 mm @ F1.4 (16 mm optional) Angle of view: 13.5° (25 mm) |
| Lens Mount | CS mount |
| Day & Night | Electronic |
| Horizontal Resolution | 700 TVL |
| Synchronization | Internal synchronization |
| Video Output | 1Vp-p composite output (75Ω /BNC) |
| S/N Ratio | More than 62 dB |
| BLC | On |
| General | |
| Working Temperature/ Humidity | -30 °C - 60 °C (-22 °F - 140 °F) Humidity 90% or less (non-condensing) |
| Power Supply | AC24V±10% |
| Power Consumption | Max. 15 W |
| Ingress Protection | IP66 |
| IR Range | Approx 100 to 110 meters |
| Dimensions | 116.8 × 97.3 × 255.1 mm (4.60" × 3.83" × 10.04") |
| Weight | 2500 g (5.50 lbs) |

Available models

PAL: DS-2CC11A2P-IRA
NTSC: DS-2CC11A2N-IRA